

**Edifier**

www.edifier.com

EDIFIER INTERNATIONAL LIMITED

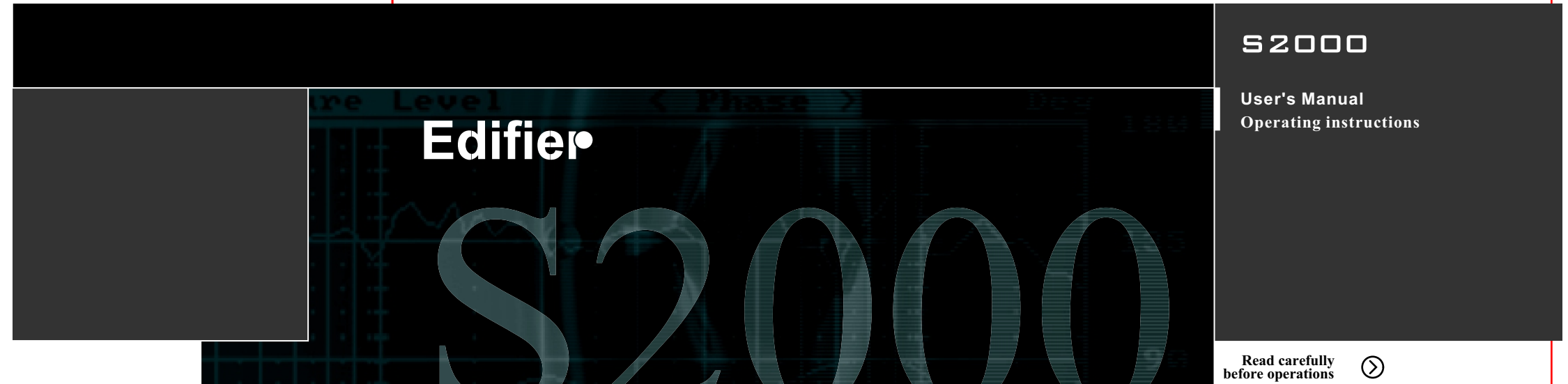
Made in China

**One Year Limited Warranty**

Edifier warrants to the end user that all of its computer speaker systems are free from defects in materials and workmanship in the course of normal and reasonable use for a term of one year from the date of purchase.

This warranty is the exclusive and only warranty in effect relative to Edifier multimedia speaker systems and any other warranties, either expressed or implied, are invalid. Neither Edifier nor any authorized Edifier reseller is responsible for any incidental or consequential damages incurred in the use of the speakers. (This limitation of incidental or consequential damage is not applicable where prohibited.) Edifier's obligation under this warranty does not apply to any defect, malfunction or failure as a result of misuse, abuse, improper installation, use with faulty or improper equipment, or the use of the speaker systems with any equipment for which they were not intended.

The terms of this warranty apply only to speaker systems when such speakers are returned to the respective authorized Edifier reseller where they were purchased. Under the terms of this warranty, the original consumer purchaser has certain legal rights and may have other rights, which vary worldwide



#### SAFETY INSTRUCTIONS:

Please read all the instructions herein.  
Please retain this manual safely for future reference.  
Please heed all safety warnings.  
Please install in accordance with the manufacturer's instructions.  
Please adjust the volume control to a comfortable level to avoid damaging your hearing and the system.

- Do not expose this apparatus to rain or moisture.
- Do not use the speakers near water, and do not immerse them in any liquid or pour any liquid on them.
- Protect the power cord from being walked on or pinched particularly at plugs, convenience receptacles, and the point where they exit from the apparatus.
- For added protection during lightning storms, unplug the speakers from the electrical outlet and turn off the computer.
- Unplug this apparatus when unused for long periods of time.
- Place the speakers away from all heat sources, such as heaters, stoves, and direct sunlight.
- Do not block the openings in the speaker cabinets. Never push objects into speaker vents or slots. Prevent risk of fire or electric shock hazards, and provide sufficient space around the speakers for proper ventilation.
- Place the speakers in a stable location so that it will not fall causing damage to the speakers or bodily harm.
- Unplug the speakers from the computer and from the electrical outlet before cleaning them with a damp cloth.
- Servicing is required when the apparatus has been damaged in any way, such as the power-supply cord or plug is damaged, liquid has been spilled or objects have fallen into the apparatus, the apparatus has been exposed to rain or moisture, does not operate normally, or has been dropped. Refer all servicing to qualified service personnel only.
- Use the plug or the coupler inlet to disconnect with mains.



This indicates the appliance is a Class 2 Power Unit



For indoor use only



The lightning flash with arrowhead inside the triangle, is intended to alert the user to the presence of un-insulated dangerous voltage within the product's enclosure that may be of a sufficient magnitude to constitute a risk of electric shock to persons.



The exclamation point inside the triangle is intended to alert the user to the presence of important operating and maintenance (servicing) instructions in the literature accompanying the product.



To prevent the risk of electric shock, do not remove cover (or back). No user-serviceable parts inside. Refer servicing to qualified service personnel only.

#### Noise coming from speakers:

Amplifier circuitry of this product generates little noise, while the background noise of some VCD/DVD player or computer sound card are too high. Please keep the system in active mode and remove the audio source, if no sound can be heard at 1 meter away from the system, then there is no problem with this product.

#### Magnetic interference:

This system is complete magnetically shielded, and can be placed near TV or monitor. But since magnet of the subwoofer driver is large, some magnetism leakage is inevitable when the system is too close to the monitor, and it is recommended to keep a 1 meter distance between the speaker system and monitor or TV set.

#### Not all speakers function:

Please check firstly if the speaker wires are connected securely; then check if the audio connecting cables are reversed, check also if the audio source is at fault.

#### Not all speakers function:

Please check firstly if the speaker wires are connected securely; then check if the audio connecting cables are reversed, check also if the audio source is at fault.

#### System does not work at all:

1. Please check if power is connected, and if the wall outlet is switched on.
2. Please check if the amplifier is still in STBY mode.
3. Please check if the master volume is turned to minimum.
4. Please check if the audio input cable is connected correctly.
5. Please check if there is signal from audio source.

#### No sound when using digital input:

The Edifier S2000 system has a built-in digital decoder, and recognizes PCM signals. Please set the DVD digital output format of your audio source to 32KHz~48KHz PCM stereo, system won't work correctly when playing from AC-3 or DTS formatted signal.

Edifier S2000 has two analog inputs: CD&AUX, with different sensitivities and impedances. Be sure to match the same format to achieve the best of the system.

## Trouble Shooting Guide:

Amplifier power output: 2 channels, RMS 40Wx2(fo=1kHz, THD=10%)  
Amplifier short time continuing power output: 2 channels, RMS 52Wx2(fo=1kHz, THD=10%).  
Amplifier distortion: THD+N<0.05%(20W output per channel)  
Amplifier signal to noise ratio: >=90db  
Amplifier frequency response: 20Hz-20KHz  
Input type: RCA, Optical and Coaxial  
Input impedance: 20K Ohm  
Bass driver: 148mm (5.5 inch), HSCC composite paper cone, magnetically shielded, 6 Ohm.  
Tweeter: 1 inch, silk dome, magnetically shielded, 6 Ohm  
System adjustment: Master volume, bass, treble all controlled by volume knob and remote control.  
Power input: 100V-120V ~, 50/60Hz (for USA/Canada/Japan)  
220V-240V ~, 50/60Hz (for European/China/Korea /South America, etc.)  
Max Power output: 150W  
Speaker dimension: 176(W)x331(H)x302(D) mm  
Amplifier dimension: 210(W)x86(H)x250(D) mm  
Amplifier weight: approx. 5.5 kg  
Speaker weight: approx. 15 kg

### **Specifications:**

Congratulations on the purchase of the Edifier S2000 speaker system. With the right care and attention, it will give you years of trouble free operation.

Before operating the system, please read this manual fully to obtain the best of this system, and retain it carefully for future reference.

## Catalog

- 1、 Packing list
- 2、 Overview
- 3、 Functional depict of the display panel
- 4、 Description of remote controller
- 5、 Placing and connecting the speakers
- 6、 Speaker breaking-in
- 7、 Specifications
- 8、 Troubleshooting

The packing materials are carefully selected to guarantee the safety of the speakers during transportation.  
Please fill in the warranty card carefully and make sure it has the seller's stamp on.  
Please keep the card in a safe place in case it is needed for warranty purposes.  
Please check the model name printed on the packing carton, and contact the seller immediately if you find the system is the incorrect model or has sustained shipping damage.  
The whole system is settled into two cartons, be sure you have them all.

## Packing list

- 1 x External amplifier
- 2 x Speakers
- 1 x Remote control
- 1 x 3.5 mm/2 P RCA audio cable
- 1 x 2 P/2 P RCA audio cable
- 2 x Speaker connecting cable
- 1 x Coaxial cable
- 1 x Optical fiber cable
- 1 x Power supply cable
- 1 x User's manual

## **Speaker break-in:**

Like all other high quality speaker systems, the sound performance improves subtly during the first few listening experiences. If stored in a cold environment, all mechanism within the speaker unit will take some time to revive their normal mechanical properties. The time required may vary according to the environmental temperature as well as the music types you choose to play. Generally, with 2~3 hours of music playing every day, the system performance could finally stabilize in a month or so, and it is recommended that symphony and pop music could be frequently used to guarantee sufficient break-in for each frequency band.

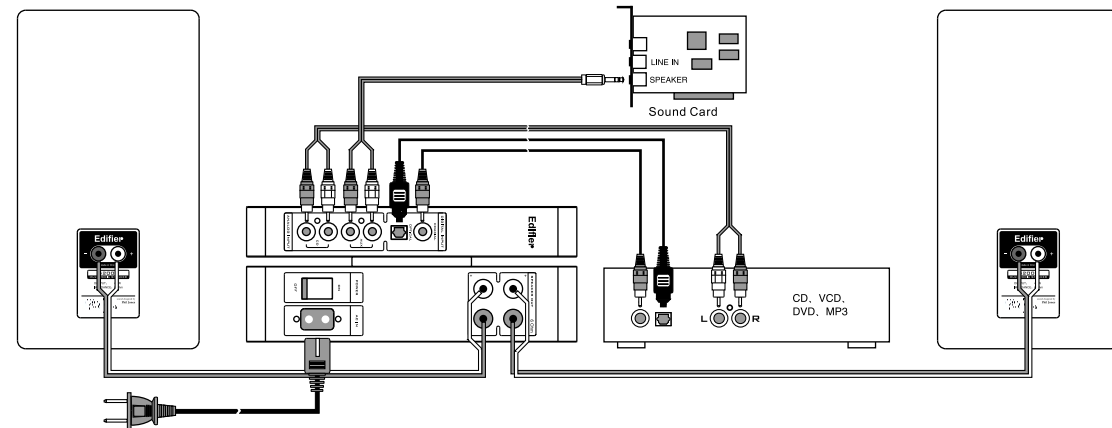
## Speaker break-in:

### **Maintenance information:**

Be sure to keep the system away from corrosive liquids or gases, extreme high or low temperatures, rain or moisture, and long time exposure to direct sunlight. Clean the system with a clean soft cloth when the system is powered off, and DO NOT use a wet cloth to avoid electrical shock hazard. The use of any chemical or abrasive material is not recommended, since that may cause damages Edifier Warranty does not cover. Although removing the front grill may improve the sound quality a little bit, it takes dust damage to the speaker unit as an expense, so it is better to keep the grill on.

### Placing the speakers:

This product is designed to be used on bookshelves or desktops. Please leave at least 1.5 meters between the two speakers. To obtain the best result, keep a 1 meter distance or more away from the speakers when listening.



### Placing and connecting the speakers

#### Connecting to audio sources:

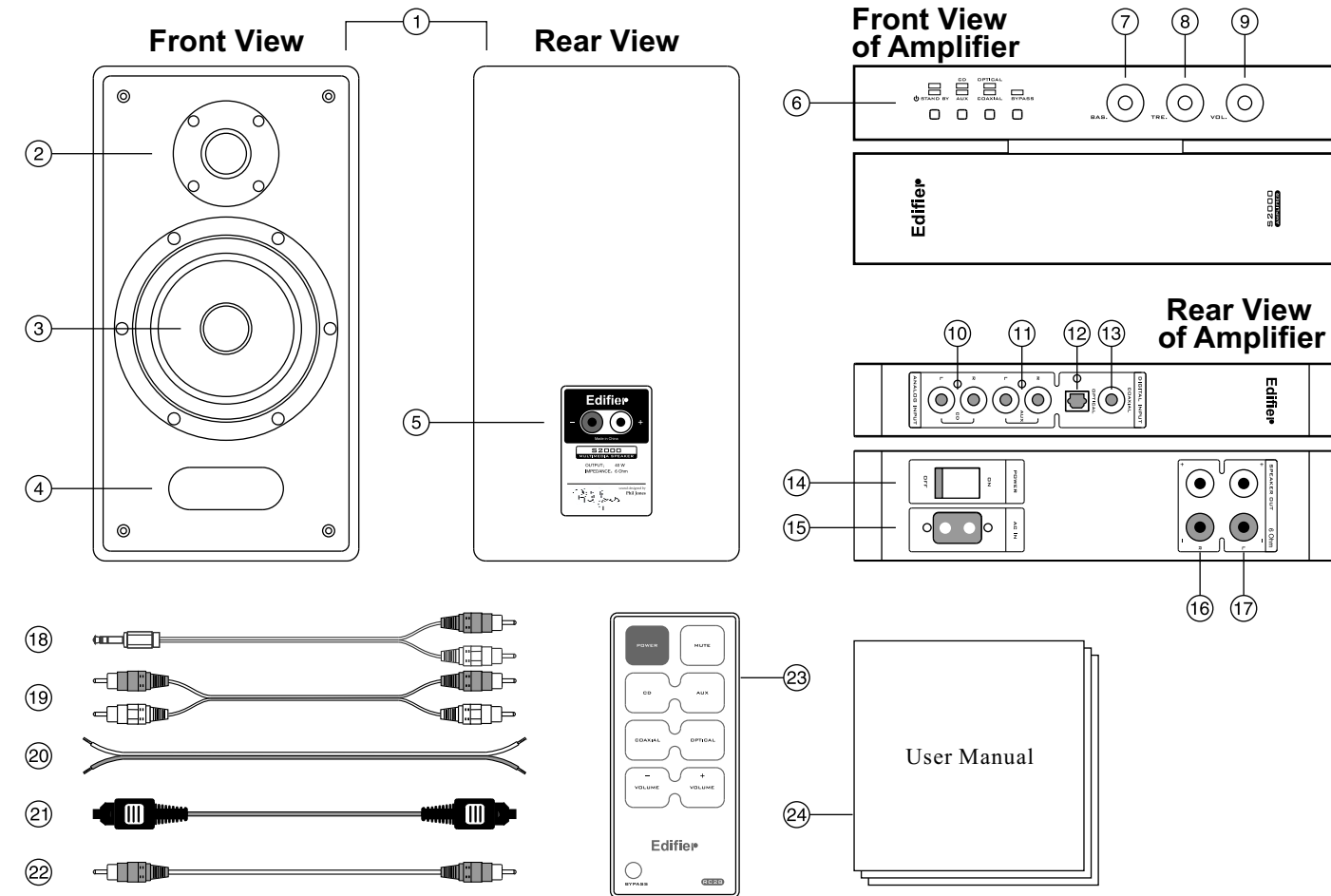
Edifier S2000 supports both analog and digital inputs. As for analog signals, two types of inputs are provided: "CD" for CD players; and "AUX" for PC sound card, radio, etc. S2000 also supports optical and coaxial inputs from a DVD player. Note: Please set the DVD digital output format to PCM stereo.

#### Connecting to the AC outlet:

Connect the system to the AC outlet only after the speakers and audio sources have already been connected securely, and the power switch on the back panel of the active speaker is turned off. Please make sure the local mains voltage is correct for this product.

#### Connecting the speakers:

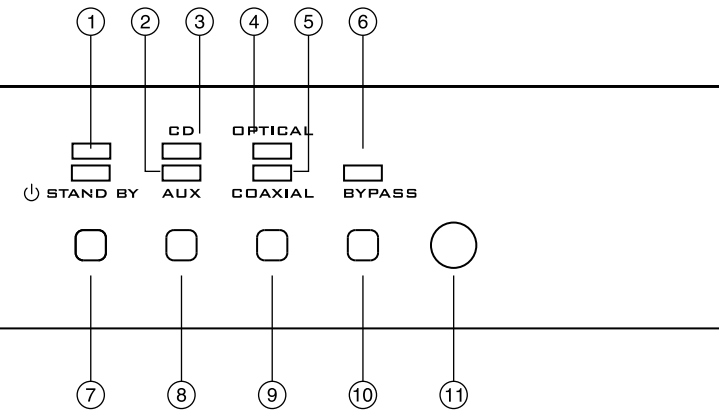
Connect the left and right speakers to the corresponding Speaker Out ports on the back panel of the amplifier with the included speaker cables, and be sure to match the same color. Make sure the connections are secure and no short circuiting between the terminals.



### Parts list:

- |                               |   |
|-------------------------------|---|
| 1. Speakers                   | 13. Coaxial input socket                  |
| 2. Tweeter                    | 14. Power switch                          |
| 3. Bass driver                | 15. Power supply socket                   |
| 4. Bass reflecting port       | 16. Speaker output socket (right channel) |
| 5. Speaker input socket       | 17. Speaker output socket (left channel)  |
| 6. Control panel              | 18. 3.5 mm /2 P audio cable               |
| 7. Bass control knob          | 19. 2 P /2 P RCA audio cable              |
| 8. Treble control knob        | 20. Speaker connecting cable              |
| 9. Master volume control knob | 21. Coaxial cable                         |
| 10. CD input socket           | 22. Optical fiber cable                   |
| 11. AUX input socket          | 23. Remote control                        |
| 12. Optical input socket      | 24. User's manual                         |

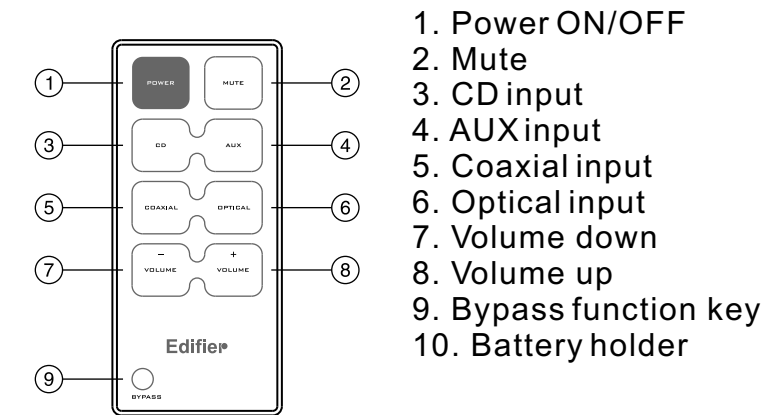
### Control Panel of Amplifier



### Functional depict of the display panel

- |                              |  |
|------------------------------|--|
| 1. Status indicator:         | Red-STBY mode<br>Green-Working mode<br>Flashing green-Mute |
| 2. AUX indicator:            | Indicates whether AUX input is selected.                   |
| 3. CD input indicator:       | Indicates whether CD input is selected.                    |
| 4. Optical input indicator:  | Indicates whether the optical input is selected.           |
| 5. Coaxial input indicator:  | Indicates whether the coaxial input is selected.           |
| 6. Bypass indicator:         | Indicates whether the bypass function is in activated.     |
| 7. STBY/ON button:           | Switches between STBY/working mode.                        |
| 8. Analog selecting button:  | Selects analog inputs (CD or AUX).                         |
| 9. Digital selecting button: | Selects digital inputs (optical or coaxial).               |
| 10. Bypass on/off button:    | Switches between on/off of the bypass function.            |
| 11. IR receiving window:     | Receives IR signal sent from the remote control.           |

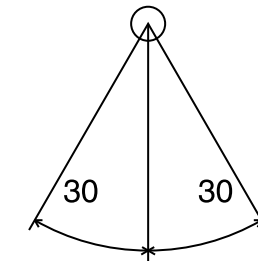
### Description of remote controller



### Guidance for using the remote controller:

1. Please refer to the figure to open the battery compartment, load the battery correctly and shut the compartment.
2. Point the remote controller to the IR window on power amplifier front panel when operating the remote controller.
3. The optimum operational distance is within 7 meters (20ft).
4. The optimum operational scope is within a 60 degree angel shown in the figure on the left side.

Infrared receiver sensor



Infrared transmitter module

### Notes:

1. Do not place the remote in an extremely hot or humid place.
2. Never put the battery into fire, since that may cause explosion.
3. Remove the battery when the remote is left unused for a long period of time to avoid battery leakage or corrosion.

