

✿ Specification

Power Output: RMS 2WX2 (THD=10%, fo=1KHz)
 Input Impedance: 10K Ohm
 Input Sensitivity: 250mV±30mV
 Speaker Unit: 50mm x 90mm Elliptical cone,
 paper voice coil, 4 Ohm
 Dimension: 85(W) x166(H) x125(D) mm
 Gross Weight: Approx 1.8kg

✿ Troubleshooting guide

● Sound from only one speaker

Check if all speaker cable connections are correct.
 Try an alternate sound source such as a CD player, MP3 or other player, in case, the original sound source is at fault.
 Check if the computer Soundcard is installed correctly.

● When playing CD from computer, only one speaker has sound

This generally occurs with a new computer: only one satellite works when playing an audio CD, but both speakers function correctly when running a WAV file or playing a game. The reason for this is that the CD-ROM is not matched with the Soundcard, or one signal channel maybe shorted to a ground wire. Please refer to your computer's user manual to adjust the CD-ROM wires.

● No sound from any of the speakers

Headphones connected to active speaker. Disconnect headphones.
 Check if the AC power is plugged in and the power outlet is switched "On".
 Check if all speaker audio cable connections are correct.
 Check if your external sound source equipment is working correctly.

● Excessive noise from speakers

Edifier speakers feature a very low noise circuit design. Your external sound source equipment may have a poor signal-to-noise ratio. Unplug the input audio cable, and check if the noise is from the CD/DVD player or the computer Soundcard, etc.

● Magnetically shielded speakers

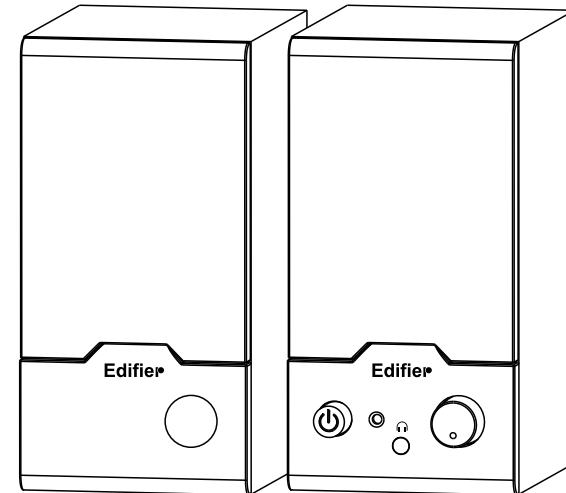
Edifier system subwoofers and satellite speakers are magnetically shielded. You can place the speakers near a TV or monitor. We recommend a 0.2-1 m distance between the speakers and monitor to avoid possible magnetic field interference.

If you have any further questions about Edifier products, please visit our website at: www.edifier.com, or email Edifier Support for further assistance at: main@edifier.ca
 Or call Toll-Free: 1-877-EDIFIER (334-3437).

Edifier

R18

Multimedia Speaker



User's Manual

Edifier International Limited

🌟 **Congratulations** on your purchase of the Edifier R18 Multimedia Speaker System. With the right care and attention, it will give you years of high-quality stereo and audio performance. Before operating the system, please read this manual fully to obtain the best results from your new product.

The lightning flash with arrowhead inside the triangle, is intended to alert the user to the presence of un-insulated dangerous voltage within the product's enclosure that may be of a sufficient magnitude to constitute a risk of electric shock to persons.



🌟 **CAUTION: TO PREVENT THE RISK OF ELECTRIC SHOCK, DO NOT REMOVE COVER (OR BACK). NO USER-SERVICEABLE PARTS INSIDE. REFER SERVICING TO QUALIFIED SERVICE PERSONNEL ONLY.**

The exclamation point inside the triangle is intended to alert the user to the presence of important operating and maintenance (servicing) instructions in the literature accompanying the product.

🌟 SAFETY INSTRUCTIONS

Please read all the instructions herein.

Please retain this manual safely for future reference.

Please heed all safety warnings.

Please install in accordance with the manufacturer's instructions.

Please adjust the volume control to a comfortable level to avoid damaging your hearing and the system.

WARNING

TO REDUCE THE RISK OF ELECTRIC SHOCK:

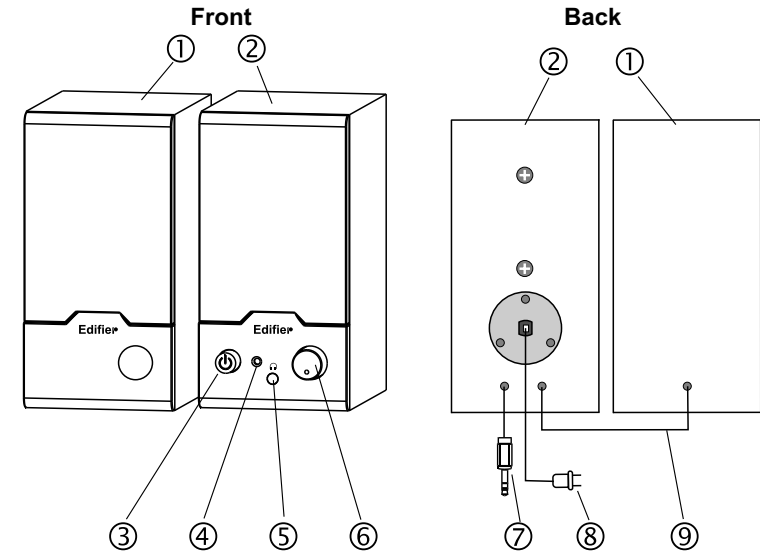
- Do not expose this apparatus to rain or moisture.
- Do not use the speakers near water, and do not immerse them in any liquid or pour any liquid on them.
- Place the speakers away from all heat sources, such as heaters, stoves, and direct sunlight.
- Do not defeat the safety purpose of the polarized plug. A polarized plug has two blades with one wider than the other. The wider blade is provided for your safety. If the provided plug does not fit into your outlet, consult an electrician for replacement of the obsolete outlet. Protect the power cord from being walked on or pinched particularly at plugs, convenience receptacles, and the point where they exit from the apparatus.
- For added protection during lightning storms, unplug the speakers from the electrical outlet and turn off the computer.
- Unplug this apparatus when unused for long periods of time.
- Do not block the openings in the speaker cabinets. Never push objects into speaker vents or slots because of fire or electric shock hazards, and provide sufficient space around the speakers for proper ventilation.
- Place the speakers in a stable location so that it will not fall causing damage to the speakers or bodily harm.
- Unplug the speakers from the computer and from the electrical outlet before cleaning them with a damp cloth.
- Servicing is required when the apparatus has been damaged in any way, such as the power-supply cord or plug is damaged, liquid has been spilled or objects have fallen into the apparatus, the apparatus has been exposed to rain or moisture, does not operate normally, or has been dropped. Refer all servicing to qualified service personnel only.

🌟 Packaging

Package checklist:

- 1 x Active speaker
- 1 x Passive speaker
- 1 x User's manual

📖 Overview



1. Passive speaker

3. Power button

5. Headphone jack (3.5 mm)

Speakers are muted when you connect headphones. Use the volume control on your audio source to adjust the headphone volume.

2. Active speaker

4. LED power indicator

6. Volume control

7. Audio line-in stereo plug (3.5 mm)

8. Power cord

9. Passive speaker cable

🌟 Speaker connection instructions

1. Connecting to an audio source

Connect the line-in stereo plug on the active speaker to an audio source, such as a sound card, CD player etc.

2. Operating the system

Connect the power cord to an AC outlet, and press the POWER button. Adjust the volume control to a comfortable listening level.