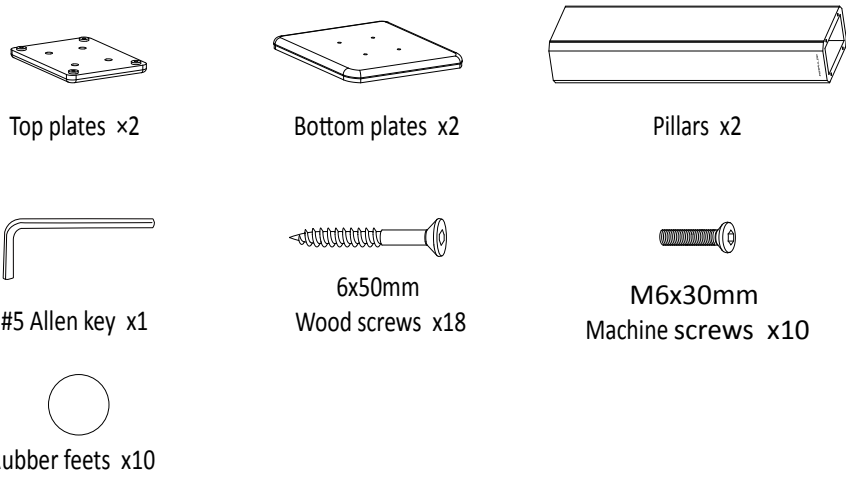


ST300 Stand Assembly Instructions

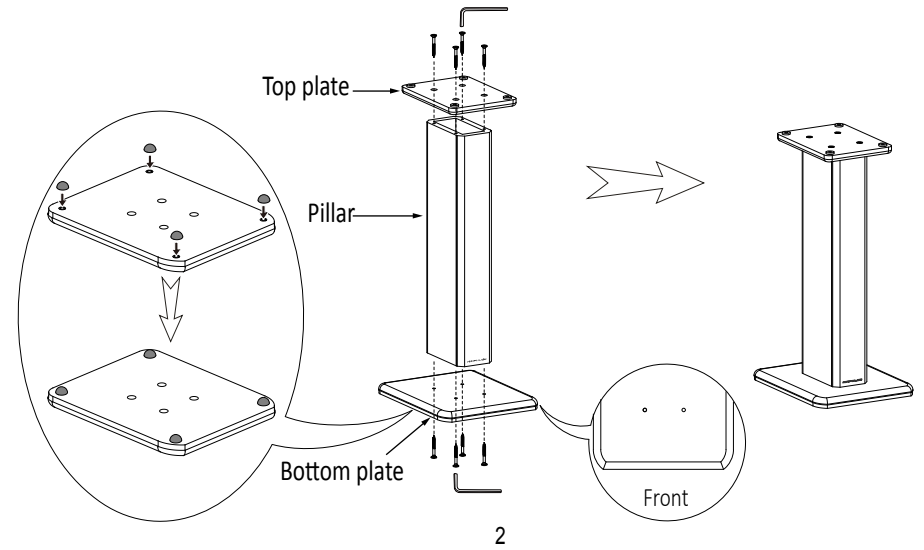
1. Parts list



1

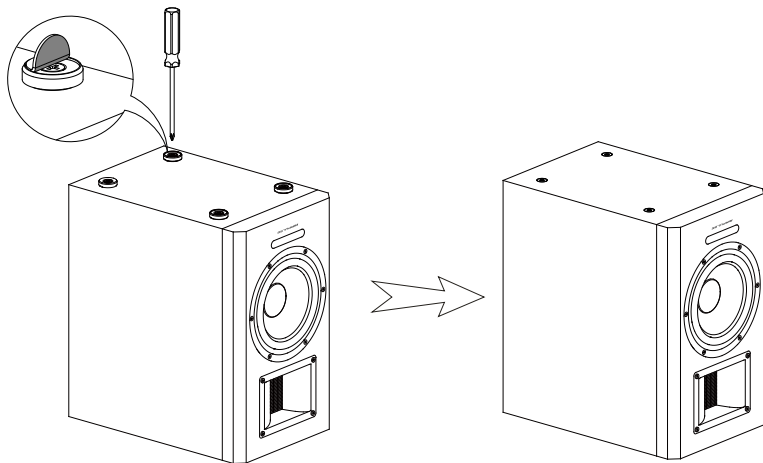
2. Assembly

- A. Paste rubber feet to the nut hole of bottom plate firmly.
- B. Use Allen key and the 6x50mm wood screws to lock the bottom and top plates onto the pillar.



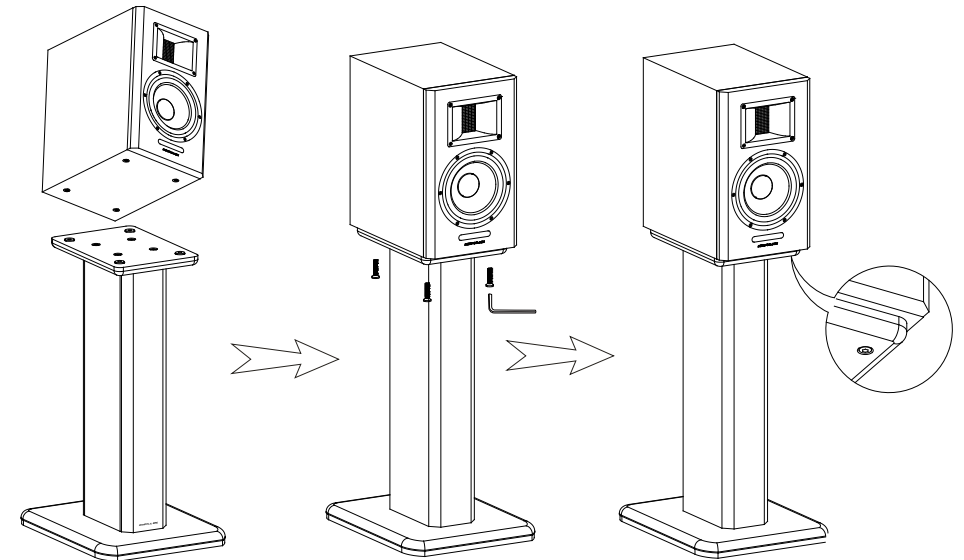
3. Secure speaker on stand

- A. Carefully remove the rubber feet on speaker. Use a screw driver to remove the metal feet. Please keep the metal feet and screws in a safe place for future use.



3

- B. Place speaker on stand, making sure the holes on bottom of speaker align with the 4 holes on the top plate. Use Allen key and the M6x30mm machined screws to lock the speaker securely onto the stand.



4