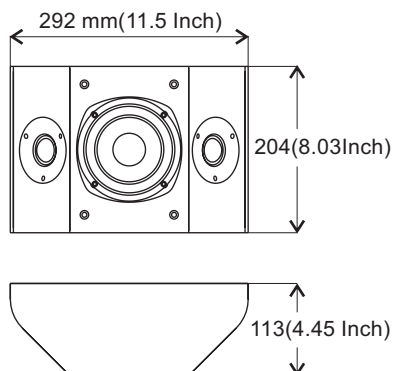


## SP-1 LOUDSPEAKERS OWNER'S MANUAL

### SPECIFICATONS



- Frequency Ranges: 70Hz – 20kHz ( $\pm 3$ dB)
- Recommended Amplifier Power Range: 20 – 100 watts
- Sensitivity: 88dB
- Nominal Impedance: 4 $\Omega$
- Low-Frequency Drivers: 5"x1"
- High-Frequency Drivers: 1"x2"
- Dimensions (H x W xD): 204x292x113 mm  
8.03x11.5x4.45 Inch
- Weight: 7.7 lbs /3.5 kg

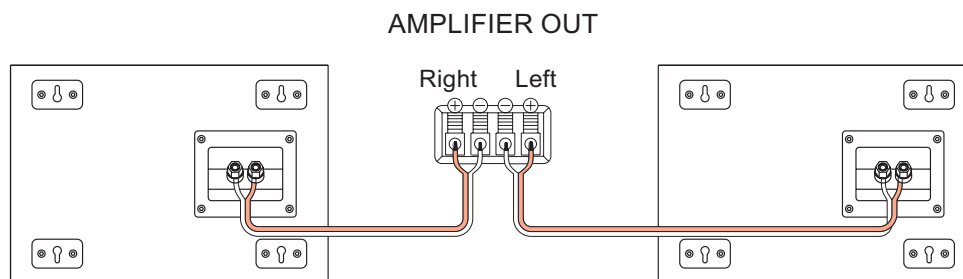
All features and specifications are subject to change without notice.

### CONNECTIONS

#### Connect Speaker To Amplifier

Be sure to turn off your Amplifier before connecting or disconnecting speakers.

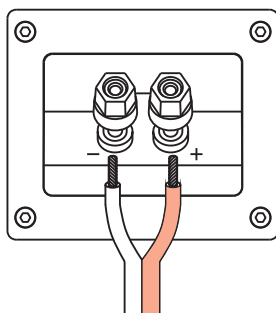
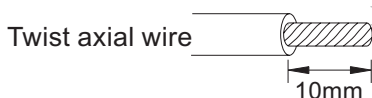
Do not operate the speaker with power exceeding limitation, or it may damage the speaker.



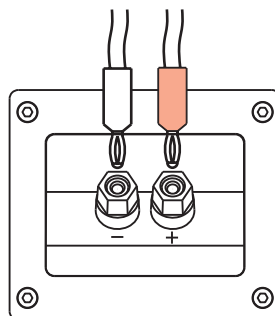
#### Speaker Cable Options

You may choose one of the following three ways to connect the cable with speaker terminal:

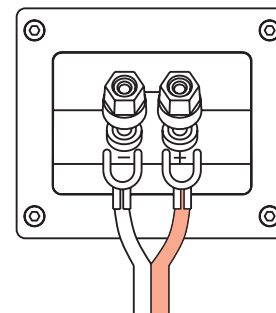
##### A. Connect With Speaker Cable



##### B. Connect With Banana Plug



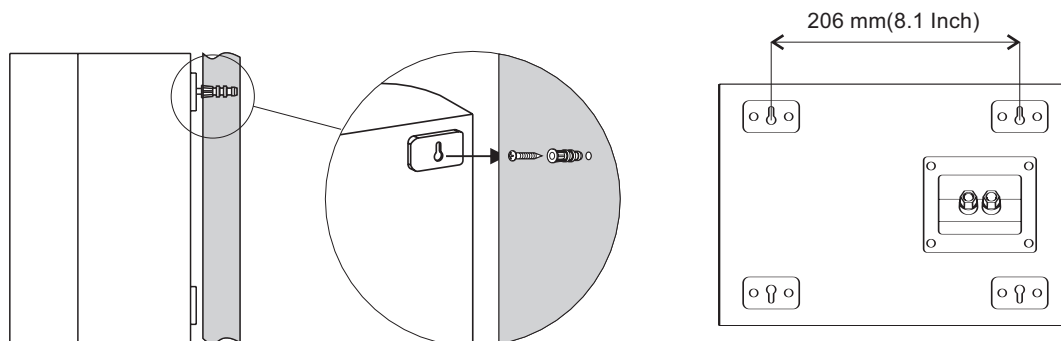
##### C. Connect With Y Plug



## SP-1 LOUDSPEAKERS OWNER'S MANUAL


### The Mountings

The SP-1 speaker is designed to be mounted on a wall. Each speaker has four keyholes in the rear to allow either left- or right-side placement. Each speaker will require two 1-1/2" (38) #4 wood screws fastened to a wall stud. If a wall stud is unavailable, install an anchor appropriate for a 1-1/2" (38mm) # 4 screw. Use the supplied template to accurately position the screws on the wall. Refer to the diagrams below for more assistance.



Wall mounting illustration

### Warranty & Service

The SP-1 speakers come with warranty period of 3 years, starting from the date of purchase. This warranty is provided to original owner, and covers defect in materials or workmanship that occurs in normal use. This warranty excludes damage that results from abuse, mis-use, accidents, shipping, or repairs or modifications by anyone other than authorized  representatives. The warranty is void if serial number has been removed. Should you need service on your speakers, please bring it to the dealer whom you purchased from along with sales slip.

If this is not possible, call or write to:

**American Acoustic Development LLC**

**8509 MID COUNTY INDUSTRIAL DRIVE,**

**ST. LOUIS MO 63114. USA**

**Tel: 314-814-3383**

**Fax: 636-536-1338**

**[www.philjonespuresound.com](http://www.philjonespuresound.com)**

**[support@philjonespuresound.com](mailto:support@philjonespuresound.com)**

